

MZ125/FZ8 316 Stainless steel pump



FIELD OF APPLICATION

It is a very versatile pump with good power (**3:1**) and **flow rate up to 50 l/min** (water). It is suitable for **medium/high viscosity (from 40.000 to 90.000 cP)**. It can withstand solid bodies in the fluid. It is constructed in **AISI 316 Stainless steel**, and is therefore suitable for pumping **food and cosmetic products**. It is also often used in the chemical industry for moderately acidic or alkaline aggressive viscous products or for glues and adhesives, because it is easy to disassembly and clean.

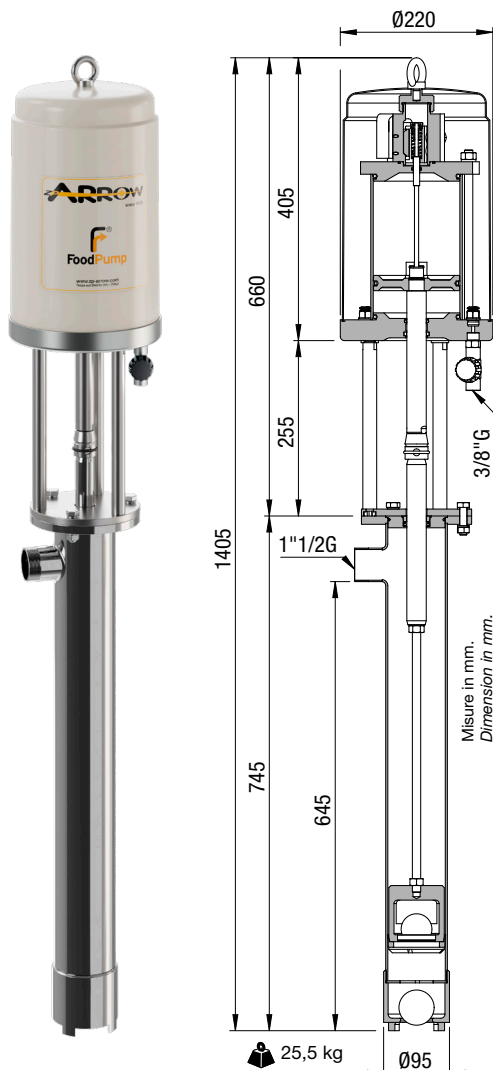
FEATURES OF THE MZ/FZ Food SERIES PUMPS

They are **pumps based on a new design**, created to be quickly disassembled. The functional concept is based on an alternating piston with ball check valves, the **flow and head are adjustable**, they are designed for **viscous food products and cosmetic fluids** or **other viscous fluids** compatible with the steel used to construct the pumps.

The part in contact with the product is made entirely in **AISI 316 Stainless steel**, the **FDA** gasket seals are made in **NBR or FKM, UHMWPE, or PTFE**. The **gasket seal on the shaft does not require adjustment**, and is efficient with any viscosity and pressure, and also is long-lasting. These pumps do not require any special maintenance, are sturdy, and reliable, **easy to disassemble for periodical cleaning** or for **sanitizing the single components**. The complete range can be supplied with **ATEX Zone 1 certification** for the motor section and **ATEX Zone 0** for the pump immersed in liquid. This therefore makes them **suitable for use in potentially explosive atmospheres**.

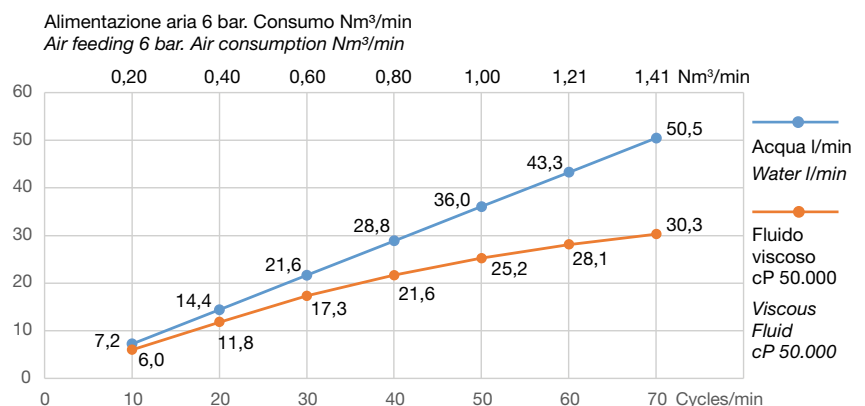
They are used by immersing the pumping piston in the fluid, or also outside of the product container. For the latter use, we can supply **Stainless steel fittings** and **flexible hoses** to connect the suction and the outlet. We can supply a **transport trolley**, or a **cushioned support for wall mounting**.

For efficient and safe use, we recommend our **pneumatic elevator on wheels or fixed on the ground**.



TECHNICAL DATA

Maximum cycles/minute	70 cycles/min
Air consumption at 70 cycles/min	1,41 Nm ³ /min - Power supply 6 bar (87 psi)
Delivery at 70 cycles/min	50 liters/min (Free flowing water)
Delivery per cycle	0,72 liters per Cycle (Free flowing water)
Ambient air temperature	0 °C at + 40 °C
Maximum fluid temperature	+ 85 °C
Fluid outlet	1"1/4 G (UNI ISO 228-1)
Compression ratio	3:1
Air inlet	3/8" G
Air pressure	up to 7 bar (100 psi)
Pump components	316 Stainless steel with parts in PTFE, UHMWPE, FKM, NBR FDA



Z.P. ARROW s.r.l. via Giolitti 15 - 36056
Tezze sul Brenta (VI) Italia
www.zp-arrow.com - arrow@zp-arrow.com

