

# MZ100/PZ70 Stainless steel pump



**IndustrialPump**

## FIELD OF APPLICATION

It is a very versatile pump with **good power (3:1) and flow rate up to 41 l/min (water)**. It is suitable for **viscous fluids (60/70.000 cP)**. It is suitable for different uses and is one of the most popular. It is suitable for **any viscous chemical product and fluid compatible with AISI 304 Stainless steel**.

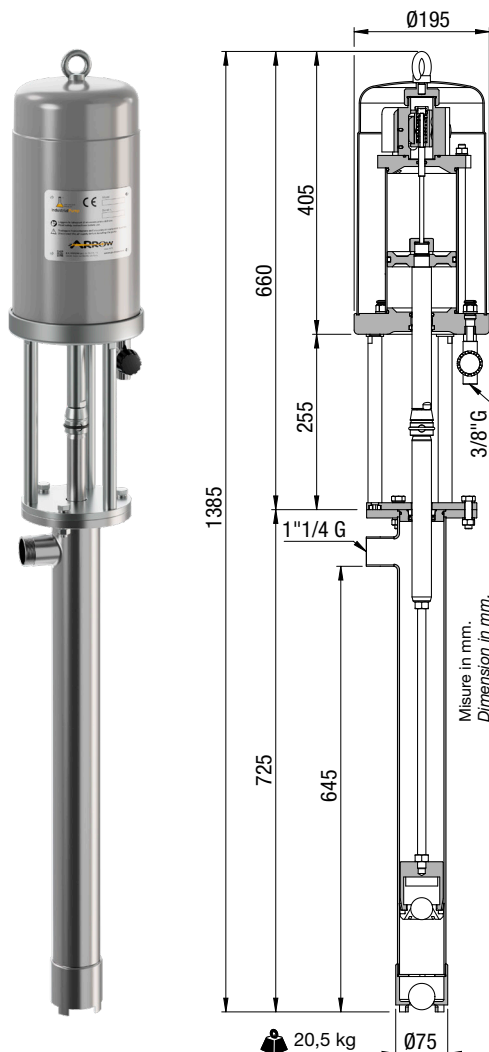
## COMMON FEATURES OF THE MZ/PZ SERIES PUMPS

These are **multi-use industrial pumps** with a brand new design. They have **adjustable flow and head**, are piston-based with alternative movement, and ball check valves designed for **viscous fluids**.

The part in contact with the product is entirely in **Stainless steel**, the seal gaskets are in **PTFE, FKM** and **UHMWPE** therefore **compatible with most chemical and polymeric products in emulsion and in water or solvent solutions**. The **gasket seal on the shaft does not require adjustment**, and is efficient with any viscosity and pressure, and also is long-lasting. These pumps do not require any special maintenance, are sturdy, and reliable, **easy to disassemble for periodical cleaning or for sanitizing the single components**. The complete range can be supplied with **ATEX Zone 1 certification** for the motor section and **ATEX Zone 0** for the piston pump immersed in liquid. This therefore makes them **suitable for use in potentially explosive atmospheres**.

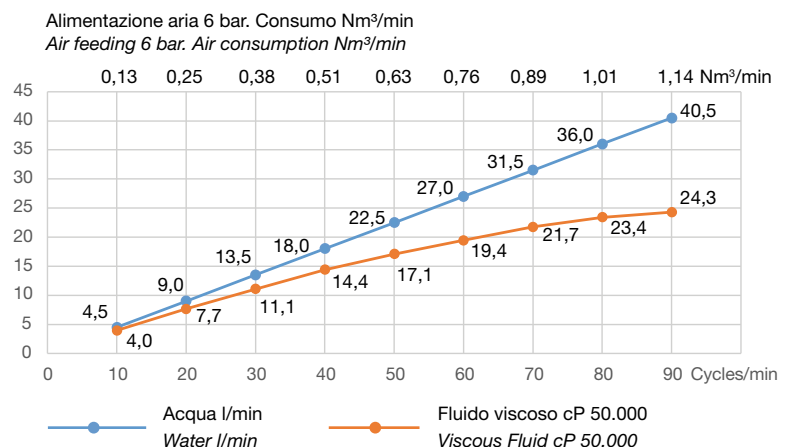
They are used by immersing the pumping piston in the fluid, or also outside of the product container. For the latter use, we can supply **Stainless steel fittings and flexible hoses** to connect the suction and the outlet. We can supply a **transport trolley**, or a **cushioned support for wall mounting**.

For efficient and safe use, we recommend our **pneumatic elevator on wheels or fixed on the ground**.



## TECHNICAL DATA

Maximum cycles/minute	90 cycles/min
Air consumption at 90 cycles/min	1,14 Nm <sup>3</sup> /min - Power supply 6 bar (87 psi)
Delivery at 90 cycles/min	41 liters/min (Free flowing water)
Delivery per cycle	0,45 liters per Cycle (Free flowing water)
Ambient air temperature	0 °C at + 40 °C
Maximum fluid temperature	+ 85 °C
Fluid outlet	1" 1/4 G (UNI ISO 228-1)
Compression ratio	3:1
Air inlet	3/8" G
Air pressure	up to 7 bar (100 psi)
Pump components	304 Stainless steel with parts in PTFE, UHMWPE, FKM



Z.P. ARROW s.r.l. via Giolitti 15 - 36056  
Tezze sul Brenta (VI) Italia  
[www.zp-arrow.com](http://www.zp-arrow.com) - [arrow@zp-arrow.com](mailto:arrow@zp-arrow.com)

